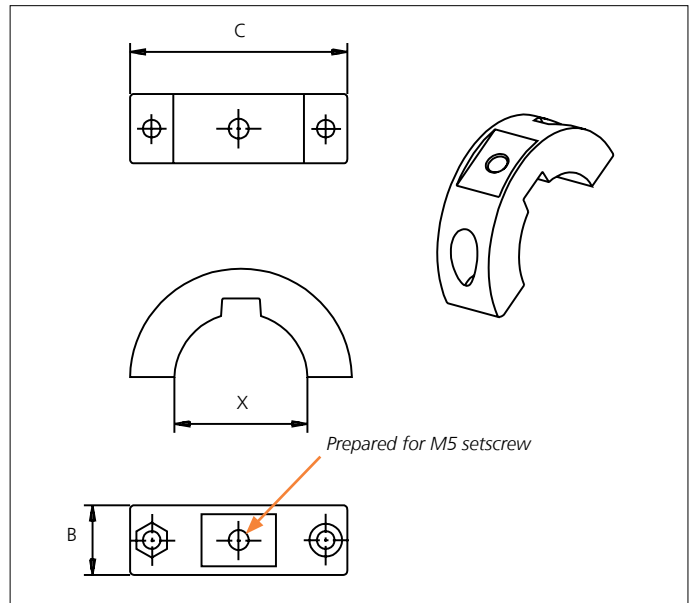
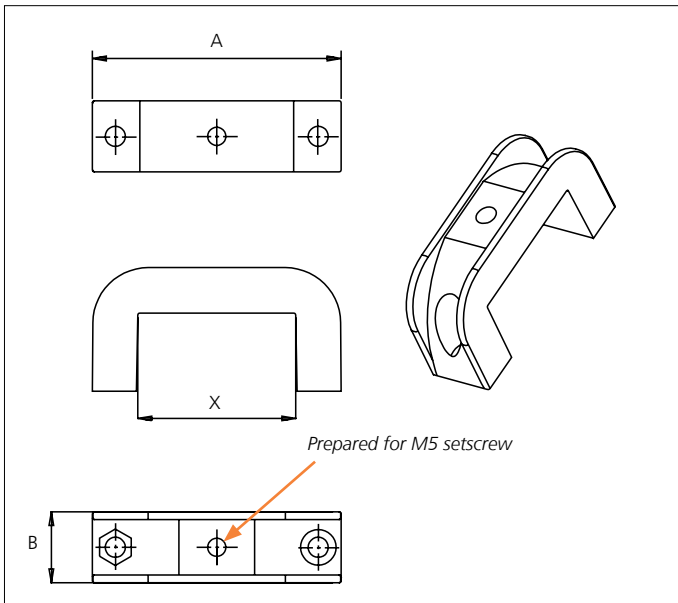
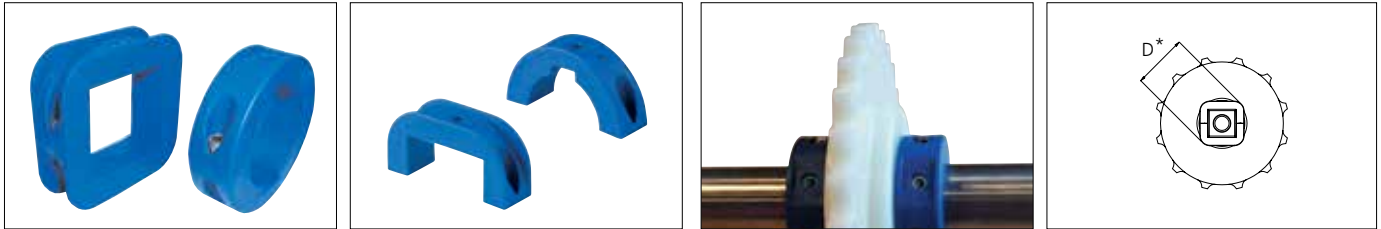


Accessories

uni Retainer Sheet

uni Retainer Rings



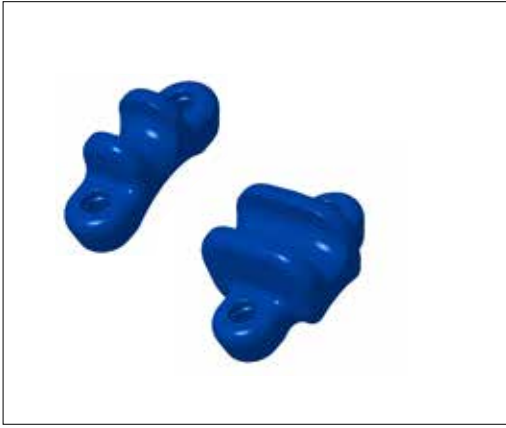
Type	A		B		D*	
	mm	in	mm	in	mm	in
SQ40 mm	63	2.5	18	0.7	ø80	ø3.1
SQ50 mm	80	3.1	18	0.7	ø103	ø4.1
SQ60 mm	95	3.7	18	0.7	ø124	ø4.9
SQ1 in	44	1.7	14	0.6	ø52	ø2.0
SQ1.5 in	63	2.5	18	0.7	ø80	ø3.1
SQ2.5 in	95	3.7	18	0.7	ø124	ø4.9

Type	C		B		D*	
	mm	in	mm	in	mm	in
ø20 mm	39	0.15	14	0.6	ø39	ø1.5
ø25 mm	44	1.7	14	0.6	ø44	ø1.7
ø30 mm	50	2.0	16	0.6	ø50	ø2.0
ø40 mm	63	2.5	18	0.7	ø63	ø2.5
ø50 mm	75	3.0	18	0.7	ø75	ø3.0
ø1 in	44	1.7	14	0.6	ø44	ø1.7
ø1.5 in	63	2.5	18	0.7	ø63	ø2.5
ø2 in	75	3.0	18	0.7	ø75	ø3.0

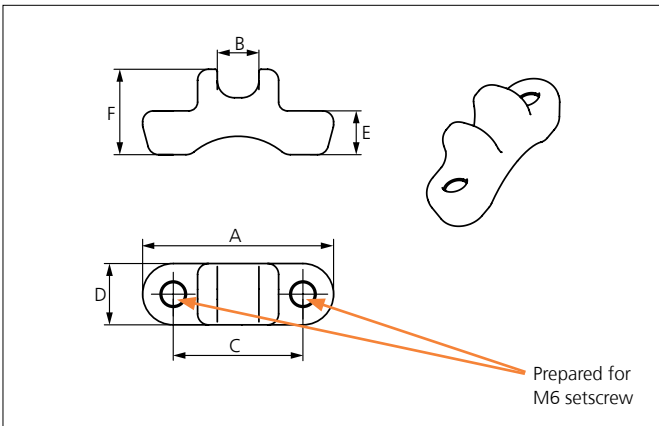
Material & color	PA6-GF B
-----------------------------	-----------------

* Use sprocket sizes that ensure that the belt or chain do not conflict with uni Retainer Rings.
Available in sets of 4 rings and sets of 20 rings.

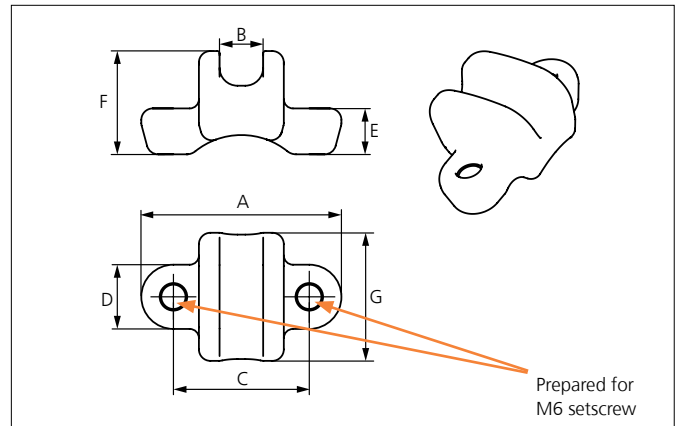
uni UltraClean Retainer



SQ1.5 in / SQ40 mm



SQ60 mm / SQ2.5 in



Type	A		B		C		D		E		F		G	
	mm	in	mm	in	mm	in	mm	in	mm	in	mm	in	mm	in
SQ40 mm SQ1.5 in	43.6	1.72	9.5	0.37	29.6	1.17	14.0	0.55	10.0	0.39	19.5	0.77	-	-
SQ60 mm SQ2.5 in	43.6	1.72	9.5	0.37	29.6	1.17	14.0	0.55	10.0	0.39	22.5	0.89	27.9	1.10

Material & color	PA6-GF B
-----------------------------	-----------------

Available in sets of 4 uni UltraClean Retainers.



Expert advice, quality solutions and local service for all your belting needs
www.ammeraalbeltech.com

Ammeraal Beltech Modular A/S
 Hjulmagervej 21
 DK-7100 Vejle

T +45 7572 3100
 F +45 7572 3348
 admin@unichains.com
 www.unichains.com

This information is subject to alteration due to continuous development. Ammeraal Beltech will not be held liable for the incorrect use of the above stated information. This information replaces previous information. All activities performed and services rendered by Ammeraal Beltech are subject to general terms and conditions of sale and delivery, as applied by its operating companies.