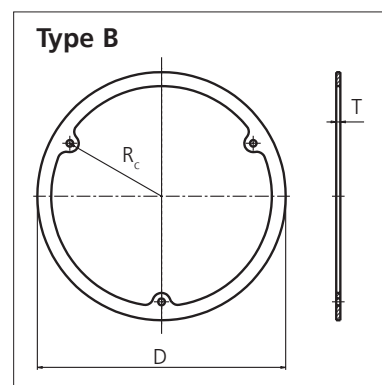
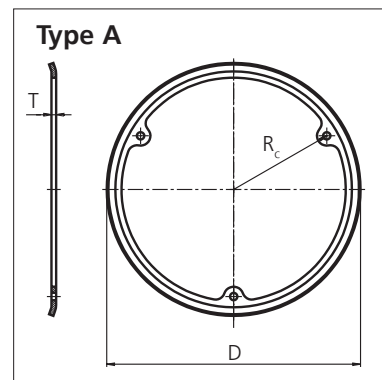




Accessories

uni Guide Rings

No of teeth	Overall diameter D		Clamping diameter radius R_c		Thickness of ring T		Shape of ring Type
	mm	in	mm	in	mm	in	
17	104.4	4.11	39.7	1.56	1.5	0.06	A
18	104.4	4.11	39.7	1.56	1.5	0.06	A
19	116.3	4.58	45.5	1.79	3.0	0.12	A
20	116.3	4.58	45.5	1.79	3.0	0.12	A
21	129.3	5.10	53.0	2.09	3.0	0.12	A
22	129.3	5.10	53.0	2.09	3.0	0.12	A
23	141.2	5.56	57.0	2.24	3.0	0.12	A
24	141.2	5.56	57.0	2.24	3.0	0.12	A
25	153.2	6.03	63.6	2.50	3.0	0.12	A
26	153.2	6.03	63.6	2.50	3.0	0.12	A
27	165.2	70.0	70.0	2.76	3.0	0.12	A
28	165.2	70.0	70.0	2.76	3.0	0.12	A
29	178.3	76.0	76.0	2.99	3.0	0.12	B
30	178.3	76.0	76.0	2.99	3.0	0.12	B
31	190.5	82.0	82.0	3.23	3.0	0.12	B
32	190.5	82.0	82.0	3.23	3.0	0.12	B



STANDARD

The sprockets for the steel chains uni 810/812/815/800/802/805 can be supplied with guide rings if the drive sprockets are to guide the chain.

All guide rings are supplied with 3 clamping holes \varnothing 4.8 mm (0.19 in).

Standard material	DIN 1.0120
-------------------	------------





Conveyor Belt



Seamless Belt



Modular Belt



Timing Belt



Transmission Belt



Fabrication & service

Solid advice
For all your belting needs
Local stock & service
www.ammeraalbeltech.com

Ammeraal Beltech Modular A/S
Hjulgagervej 21
DK-7100 Vejle

T +45 7572 3100
F +45 7572 3348
admin@unichains.com
www.unichains.com

This information is subject to alteration due to continuous development. Ammeraal Beltech will not be held liable for the incorrect use of the above stated information. This information replaces previous information. All activities performed and services rendered by Ammeraal Beltech are subject to general terms and conditions of sale and delivery, as applied by its operating companies.