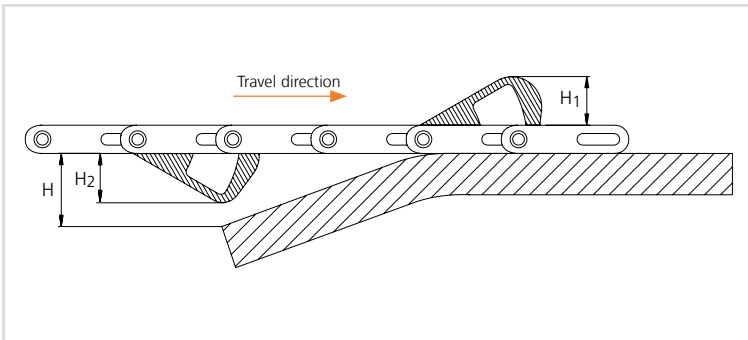


uni AmFlight
type H26
for uni Flex L-ASB

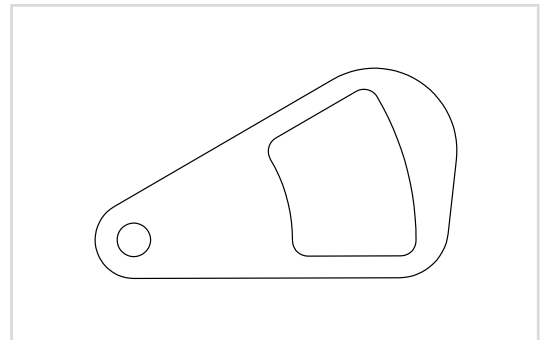


Standard material
and colour:
PE- Polyethylene w

Type H26



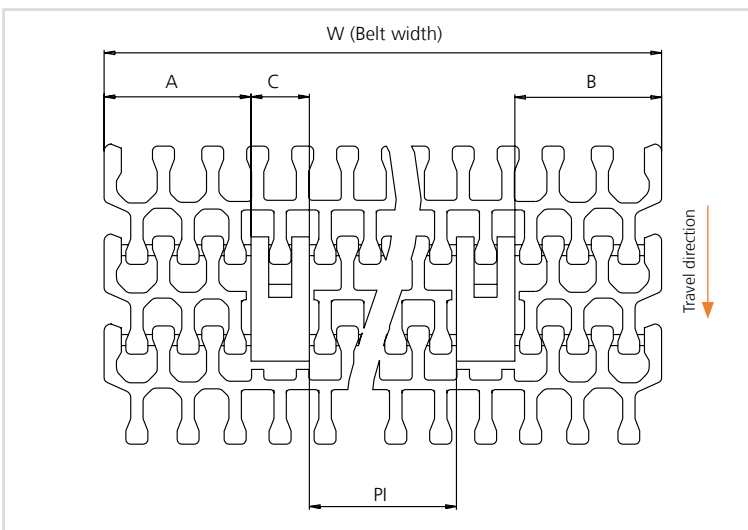
Type H26



Type H26

Dimensions

	mm	in.
H ₁	26.1	1.03
H ₂	25.8	1.02
H	30.8	1.21



Type H26

Dimensions

	mm	in.
A min.	82.6	3.25
B min.	82.6	3.25
C	33.0	1.30
PI max.	W - 205.7	W - 8.10
PI min.	59.7	2.35

Increment: 22.8 mm (0.90 in.)