

Ammeraal Beltech Modular

Innovative belt and chain solutions
for every industry & application



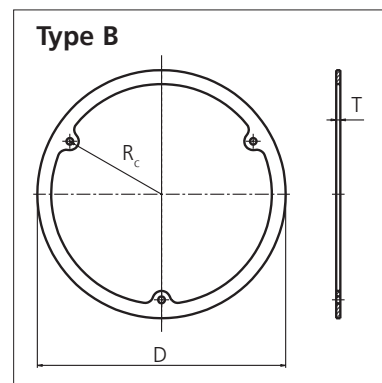
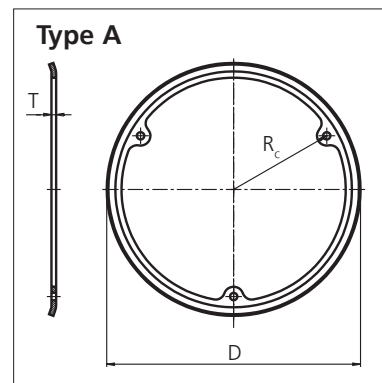
Content

uni Guide Rings	page 3 - 4
uni Retainer	page 5 - 6
uni Idler	page 7 - 8

Accessories

uni Guide Rings

No of teeth	Overall diameter D		Clamping diameter radius R_c		Thickness of ring T		Shape of ring Type
	mm	in	mm	in	mm	in	
17	104.4	4.11	39.7	1.56	1.5	0.06	A
18	104.4	4.11	39.7	1.56	1.5	0.06	A
19	116.3	4.58	45.5	1.79	3.0	0.12	A
20	116.3	4.58	45.5	1.79	3.0	0.12	A
21	129.3	5.10	53.0	2.09	3.0	0.12	A
22	129.3	5.10	53.0	2.09	3.0	0.12	A
23	141.2	5.56	57.0	2.24	3.0	0.12	A
24	141.2	5.56	57.0	2.24	3.0	0.12	A
25	153.2	6.03	63.6	2.50	3.0	0.12	A
26	153.2	6.03	63.6	2.50	3.0	0.12	A
27	165.2	70.0	70.0	2.76	3.0	0.12	A
28	165.2	70.0	70.0	2.76	3.0	0.12	A
29	178.3	76.0	76.0	2.99	3.0	0.12	B
30	178.3	76.0	76.0	2.99	3.0	0.12	B
31	190.5	82.0	82.0	3.23	3.0	0.12	B
32	190.5	82.0	82.0	3.23	3.0	0.12	B



STANDARD

The sprockets for the steel chains uni 810/812/815/800/802/805 can be supplied with guide rings if the drive sprockets are to guide the chain.

All guide rings are supplied with 3 clamping holes \varnothing 4.8 mm (0.19 in).

Standard material	DIN 1.0120
--------------------------	------------



Conveyor Belt



Seamless Belt



Modular Belt



Timing Belt



Transmission Belt



Fabrication & service

Solid advice
For all your belting needs
Local stock & service
www.ammeraalbeltech.com

Ammeraal Beltech Modular A/S
Hjulgagervej 21
DK-7100 Vejle

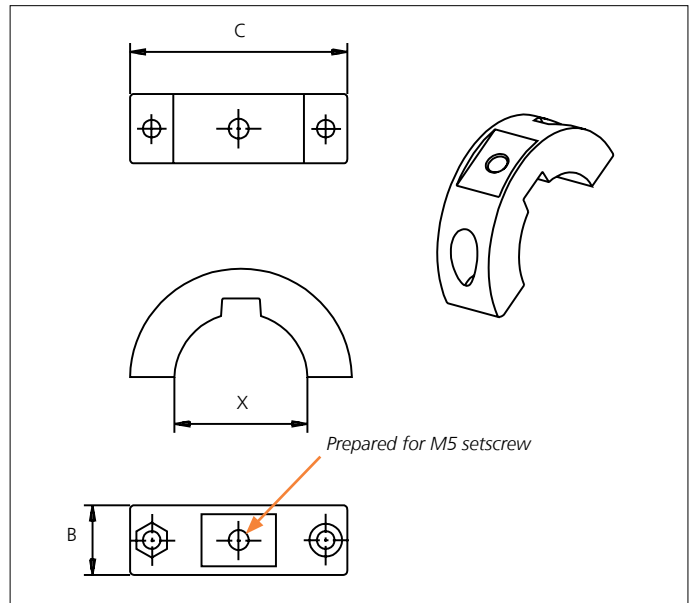
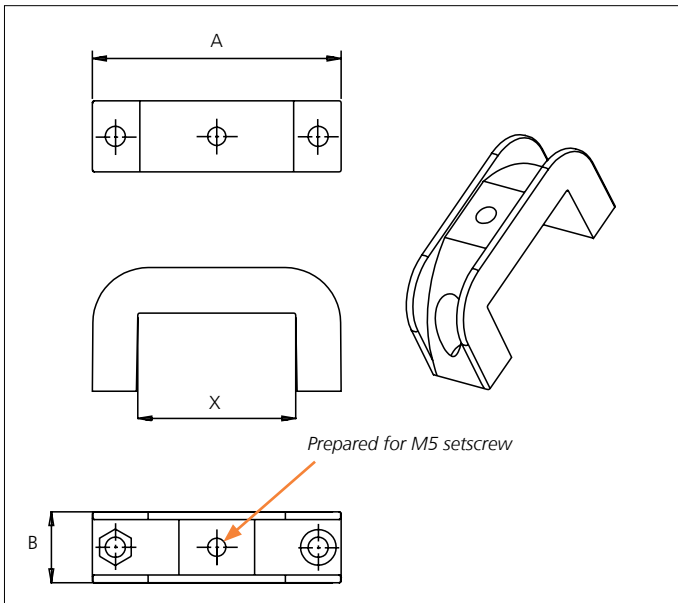
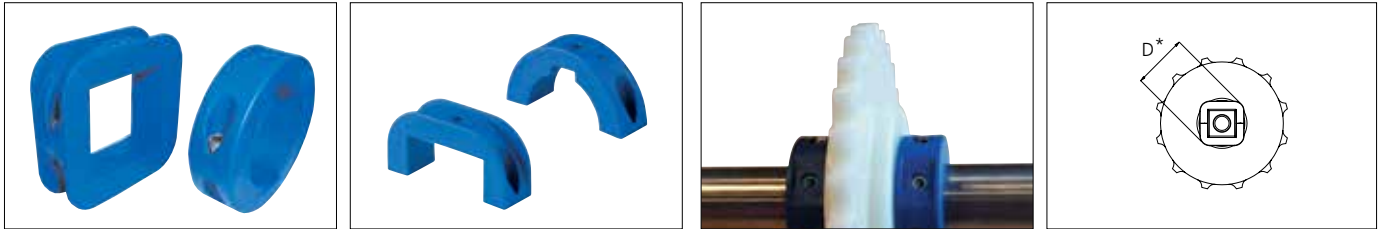
T +45 7572 3100
F +45 7572 3348
admin@unichains.com
www.unichains.com

This information is subject to alteration due to continuous development. Ammeraal Beltech will not be held liable for the incorrect use of the above stated information. This information replaces previous information. All activities performed and services rendered by Ammeraal Beltech are subject to general terms and conditions of sale and delivery, as applied by its operating companies.

Accessories

uni Retainer Sheet

uni Retainer Rings



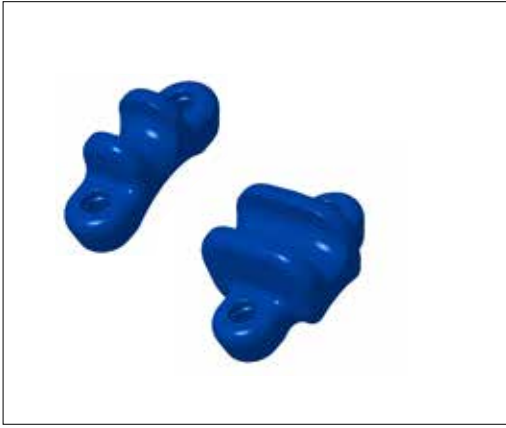
Type	A		B		D*	
	mm	in	mm	in	mm	in
SQ40 mm	63	2.5	18	0.7	ø80	ø3.1
SQ50 mm	80	3.1	18	0.7	ø103	ø4.1
SQ60 mm	95	3.7	18	0.7	ø124	ø4.9
SQ1 in	44	1.7	14	0.6	ø52	ø2.0
SQ1.5 in	63	2.5	18	0.7	ø80	ø3.1
SQ2.5 in	95	3.7	18	0.7	ø124	ø4.9

Type	C		B		D*	
	mm	in	mm	in	mm	in
ø20 mm	39	0.15	14	0.6	ø39	ø1.5
ø25 mm	44	1.7	14	0.6	ø44	ø1.7
ø30 mm	50	2.0	16	0.6	ø50	ø2.0
ø40 mm	63	2.5	18	0.7	ø63	ø2.5
ø50 mm	75	3.0	18	0.7	ø75	ø3.0
ø1 in	44	1.7	14	0.6	ø44	ø1.7
ø1.5 in	63	2.5	18	0.7	ø63	ø2.5
ø2 in	75	3.0	18	0.7	ø75	ø3.0

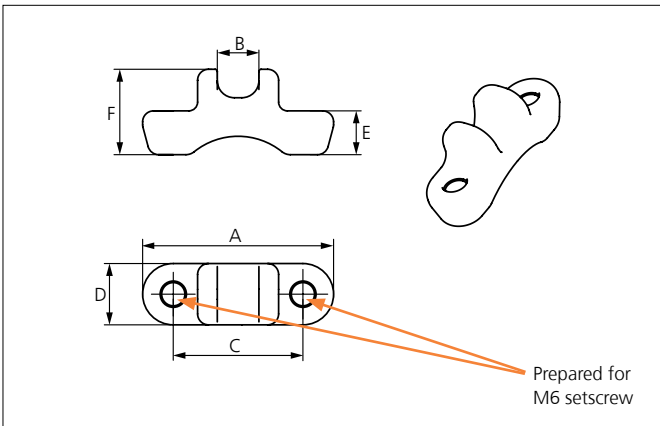
Material & color	PA6-GF B
-----------------------------	-----------------

* Use sprocket sizes that ensure that the belt or chain do not conflict with uni Retainer Rings.
Available in sets of 4 rings and sets of 20 rings.

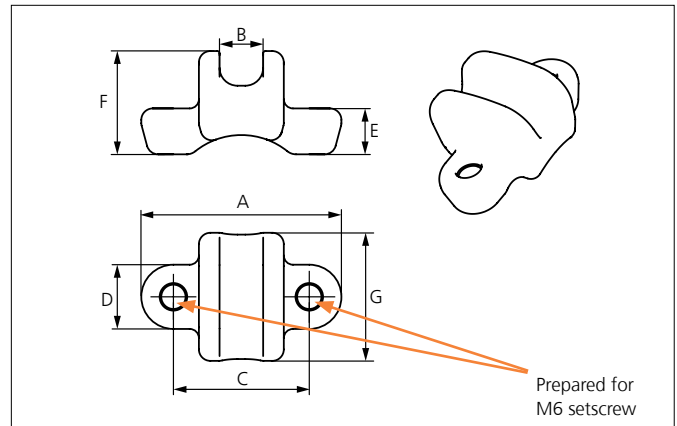
uni UltraClean Retainer



SQ1.5 in / SQ40 mm



SQ60 mm / SQ2.5 in



Type	A		B		C		D		E		F		G	
	mm	in	mm	in	mm	in	mm	in	mm	in	mm	in	mm	in
SQ40 mm SQ1.5 in	43.6	1.72	9.5	0.37	29.6	1.17	14.0	0.55	10.0	0.39	19.5	0.77	-	-
SQ60 mm SQ2.5 in	43.6	1.72	9.5	0.37	29.6	1.17	14.0	0.55	10.0	0.39	22.5	0.89	27.9	1.10

Material & color	PA6-GF B
-----------------------------	-----------------

Available in sets of 4 uni UltraClean Retainers.



Expert advice, quality solutions and local service for all your belting needs
www.ammeraalbeltech.com

Ammeraal Beltech Modular A/S
 Hjulmagervej 21
 DK-7100 Vejle

T +45 7572 3100
 F +45 7572 3348
 admin@unichains.com
 www.unichains.com

This information is subject to alteration due to continuous development. Ammeraal Beltech will not be held liable for the incorrect use of the above stated information. This information replaces previous information. All activities performed and services rendered by Ammeraal Beltech are subject to general terms and conditions of sale and delivery, as applied by its operating companies.



Accessories

Idler

No. of teeth of Corresponding sprocket	B		Overall diameter D		Bore d				L	
					Min		Max			
	mm	in	mm	in	mm	in	mm	in	mm	in
19	44.4	1.75	116.9	5.11	20.0	0.79	38.1	1.50	63.5	2.50
21	44.4	1.75	129.8	5.11	20.0	0.79	38.1	1.50	63.5	2.50
23	44.4	1.75	142.2	5.60	20.0	0.79	38.1	1.50	63.5	2.50
25	44.4	1.75	154.7	6.09	20.0	0.79	38.1	1.50	63.5	2.50

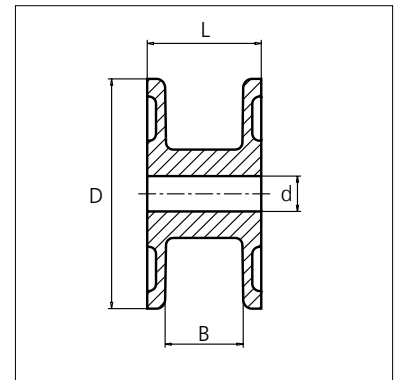


STANDARD

Standard material	POM-D
--------------------------	-------

All idlers are supplied with pilot bore.

Idlers are available for: uni 810, uni 812, uni 815, uni 881, uni Magnet, uni 881 Super Flex, uni 8811, uni 8811 Super Flex, uni 820, uni 831, uni 879, uni 879 Super Flex, uni 880 and uni 880 Super Flex.

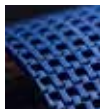




Conveyor Belts



Seamless Belts



Modular Belts



Timing Belts



Transmission Belts



Fabrication & service

Expert advice, quality solutions and local service for all your belting needs www.ammeraalbeltech.com

Ammeraal Beltech Modular A/S
Hjulmagervej 21
DK-7100 Vejle

T +45 7572 3100
F +45 7572 3348
admin@unichains.com
www.unichains.com

This information is subject to alteration due to continuous development. Ammeraal Beltech will not be held liable for the incorrect use of the above stated information. This information replaces previous information. All activities performed and services rendered by Ammeraal Beltech are subject to general terms and conditions of sale and delivery, as applied by its operating companies.



Conveyor Belts



Seamless Belts



Modular Belts



Timing Belts



Transmission Belts



Fabrication & service

Expert advice, quality solutions
and local service
for all your belting needs
www.ammeraalbeltech.com

Global Headquarters:
Ammeraal Beltech Holding B.V.
P.O. Box 38, 1700 AA Heerhugowaard
The Netherlands

T +31 72 575 1212
F +31 72 571 6455
info@ammeraalbeltech.com

This information is subject to alteration due to continuous development. Ammeraal Beltech will not be held liable for the incorrect use of the above stated information. This information replaces previous information. All activities performed and services rendered by Ammeraal Beltech are subject to general terms and conditions of sale and delivery, as applied by its operating companies.